



Urban Shelter - Deluxe

Designed to bring people together, this stylish, sun-safe and functional shelter is perfect for outdoor gatherings with family and friends all year round. Its timeless horizontal panel design provides a sleek, minimalist look that complements any setting, while the durable construction ensures it stands up to outdoor elements. Available in a range of sizes to suit your space requirements.



Customisation
available

Quality & durability

- Premium colourbond corrugated iron roof
- Powdercoated structural grade aluminium frame
- All stainless steel fixings (roof fixings are galvanised)
- Features a lattice screen on one side
- Surface mounted (In-ground mount option available)
- Available in different sizes:

Available Size width x depth, m	Shelter Area m ²	Net floor area m ²
6x4	24	12.4
5x4	20	9.8
4x4	16	7.0
3x4	12	5.4

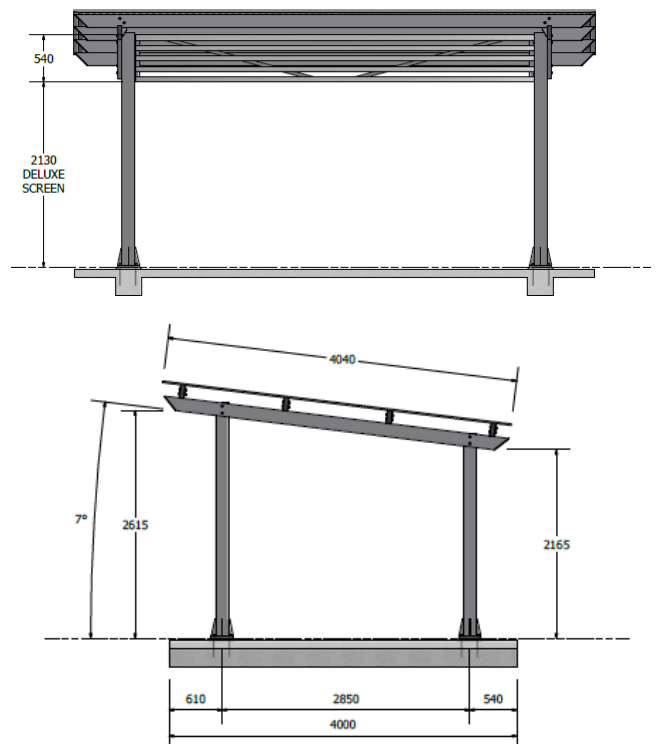
Ideal for

- Parks
- Education
- Holiday Camps
- Sporting Camps

Finishes available

- Powdercoated in choice of colour

Specifications



- Shelters have been designed in conjunction with a Chartered Professional Engineer. Design parameters available upon request.
- PSI producer statements are available for a surcharge.
- Shelters with a net floor area 30m² and under do not require a building consent. However, UE recommend customers check with their council for region specific requirements.

Contact us today

Freephone **0508 4 URBAN** or visit urbaneffects.co.nz