

Legend Nohonga

The Legend Nohonga is a stunning circular bench that fuses sustainable design with playful functionality. Created by Thomas Consultants in collaboration with Urban Effects, this unique seating solution showcases innovative and eco-friendly craftsmanship.

Constructed from recycled timber and robust folded steel, it ensures durability and aesthetic appeal. The optional net in the inner circle encourages dynamic movement and can be removed for plantings.

As part of our new **FUNiture collection** by Urban Effects and Playground Centre, the Legend Nohonga puts a fresh spin on outdoor spaces.



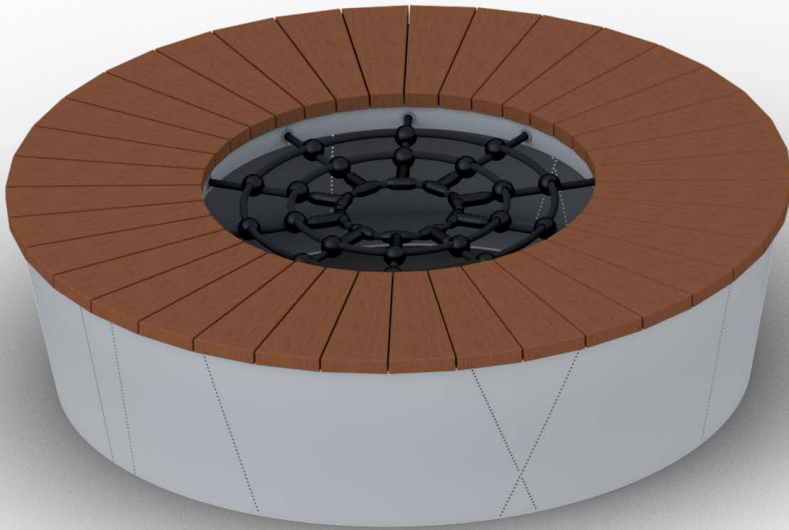
Customisation available



Part of a range



Lifetime Structural Warranty



Quality & durability

- Sleek Aluminium alloy ensures durability and aesthetic appeal
- Hardwood Timber slats
- Hercules rope net construction
- Surface mount
- Concealed fixings
- Option to remove centre net to replace with plantings for added touch of greenery in your outdoor space.
- Customised laser cut-out pattern on the bench outer wrap

Ideal for

- Any metropolitan or natural setting
- Parks
- Shopping centres
- Streetscapes
- Education

Finishes

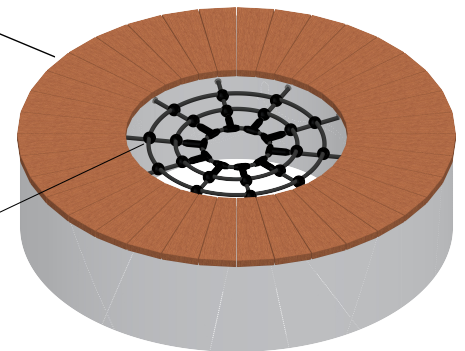
- Hardwood timber slats and Aluminium frame powdercoated in colour.

**A wide range of colours are available to suit your desired colour scheme.
All options above need to be discussed prior to purchase.

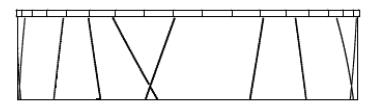
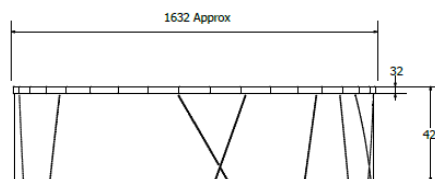
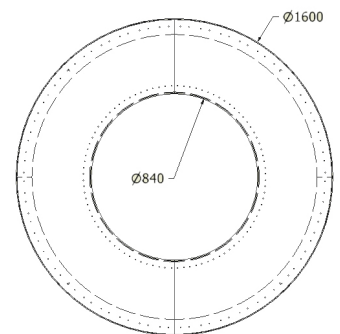
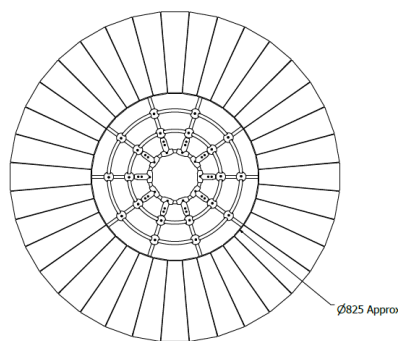
Specifications

Hardwood timber top
varying timber types
Fixed from below

Rope net fixed
from beneath
timber



*Centre hole dimensions



Contact us today

Freephone **0508 4 URBAN** or visit urbaneffects.co.nz

