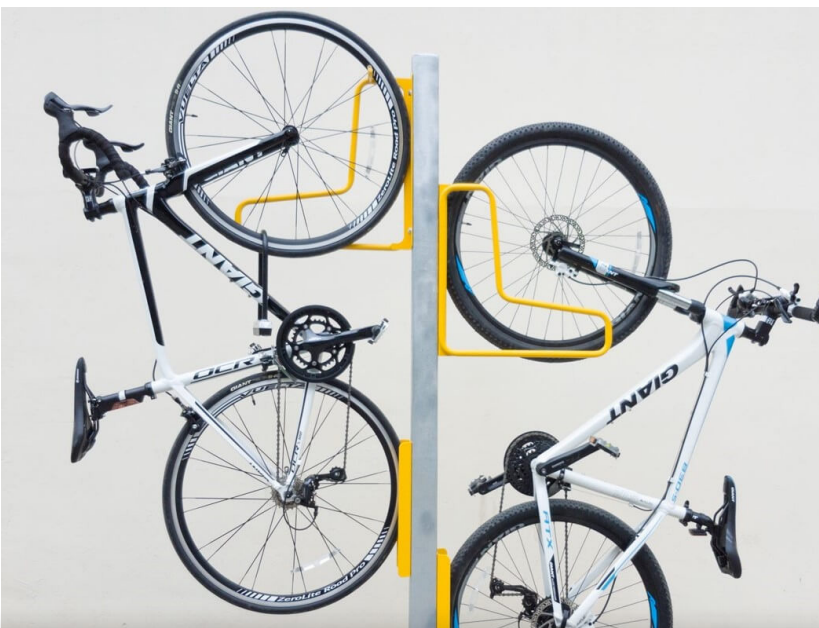


E3VR-F Vertical Bike Rack For Fenders

The E3VR-F offers a high-density storage solution that can be installed individually or in large clusters for maximum space efficiency. Designed for ease of use, these racks are best suited for indoor or covered areas such as car parks and bike storage rooms.

The E3VR-F gently cradles the front wheel, ensuring the safety of the bike and providing easy access to parking. It can be mounted directly to existing walls or to the E3VR-P mounting post. The E3VR-F is suitable for bikes with or without front wheel fenders or mudguards.

E3VR-F bike racks comply with AS2890.3 (2015) requirements.



Quality & Durability

Capacity

- 1 bike per rack

Construction

- Heavy duty high quality steel
- 16mm CHS x 1.2mm

Fixings

- 3 x M8 x 40mm pin head torx security screws with tool, washers and nylon wallplugs included

Assembly

- Supplied fully welded and assembled. For pole mounted option, assembly to pole E3VR-P required

Finishes

- In Stock - Yellow Powder Coat
- Option - Galvanised
- Option - 304 Stainless Steel
- Option - Colour Powder Coat (Standard colour range)

Ideal for

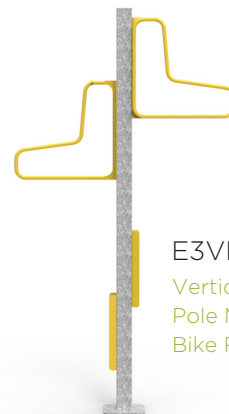
- Office buildings
- Residential complexes
- Schools and universities
- Indoor or covered car parks
- Bike storage rooms
- Shopping centres and malls
- Public transport stations

Finishes

- HDG steel frames
- Powder Coated 1.5mm galvanised steel panels
- Option - powder coating of complete locker (frames and panels)

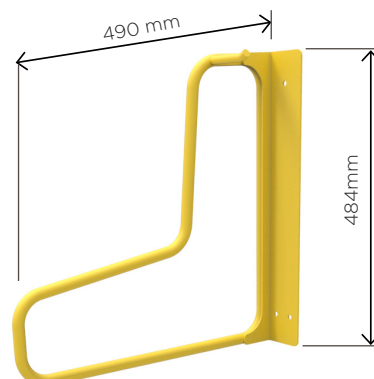


SINGLE RACK POLE MOUNTED



DOUBLE RACK POLE MOUNTED

E3VR-F
Vertical Wall Or
Pole Mounted
Bike Rack



Contact us today

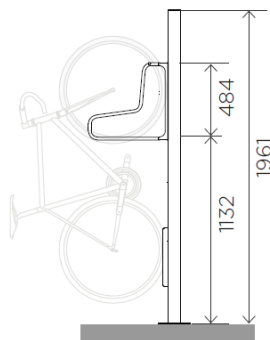
Freephone **0508 4 URBAN** or visit urbaneffects.co.nz

E3VR-F Vertical Bike Rack For Fenders

The E3VR-F offers a high-density storage solution that can be installed individually or in large clusters for maximum space efficiency. Designed for ease of use, these racks are best suited for indoor or covered areas such as car parks and bike storage rooms.

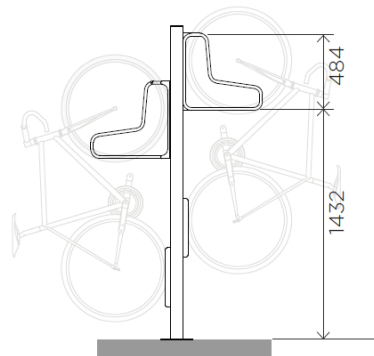
The E3VR-F gently cradles the front wheel, ensuring the safety of the bike and providing easy access to parking. It can be mounted directly to existing walls or to the E3VR-P mounting post. The E3VR-F is suitable for bikes with or without front wheel fenders or mudguards.

E3VR-F bike racks comply with AS2890.3 (2015) requirements.



Side View
Single Rack

For single mounted racks
If mounting only one rack, the rack should be fixed in lower position to minimise lifting for the cyclist.

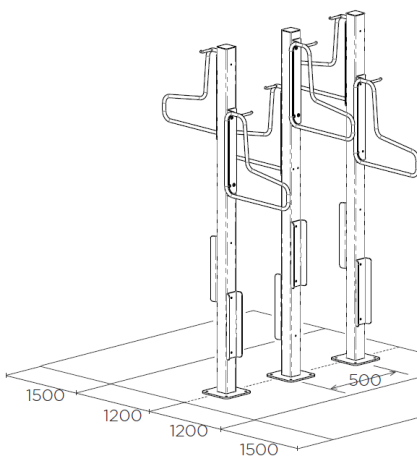


Side View
Double Rack

For double mounted racks,
Rack location on post should be alternated, on both sides of post

Double sided alternating rack height

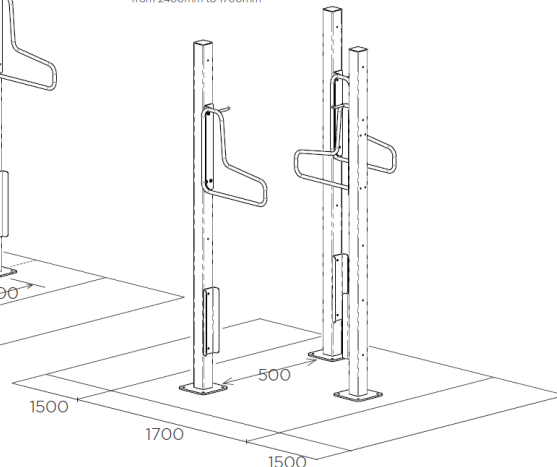
Access dimensions for posts
If multiple posts are mounted in a row, Racks must be alternated in location on pole.



Access dimensions
Posts are to be mounted with minimum clearance zones from either side a rack is mounted.

'Nested' single side

Nested single side layout
Nested layout reduces the footprint from 2400mm to 1700mm



Specifications

E3VR-F POLE MOUNT LAYOUT GUIDE

To comply with AS2890.3 (2015) minimum 500mm spacing between posts centres and to edge of walls or other obstructions is required.

Spacings of 400-500mm are possible where compliance with AS2890.3 (2015) is not required. For specific assembly and installation instructions relating to E3VR Series racks, please refer to individual instruction information sheets.

Racks should not be installed, based on the information on this sheet alone.

Other Vertical Bike Racks

- E3VR Vertical Bike Rack
- E3VR-45L 45 Degree Vertical Bike Park
- E3VR-45R 45 Degree Vertical Bike Park
- E3VR-DYN Dynamic Vertical Bike Rack
- E3VR-P Mounting Post

To explore the complete Bike & Scooter Parking solutions, visit our website.

Contact us today

Freephone 0508 4 URBAN or visit urbaneffects.co.nz

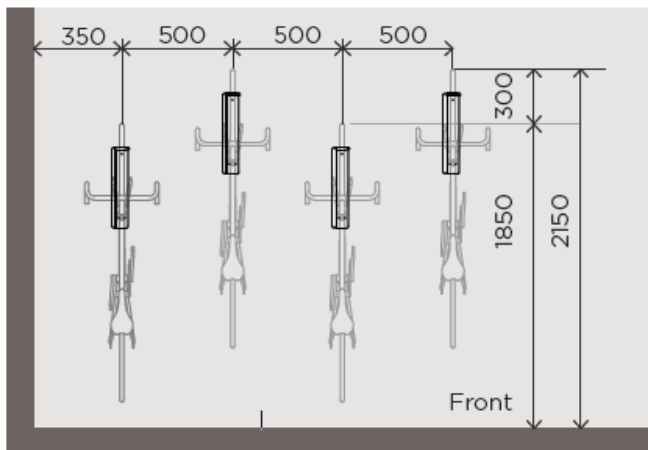


E3VR-F Vertical Bike Rack For Fenders

The E3VR-F offers a high-density storage solution that can be installed individually or in large clusters for maximum space efficiency. Designed for ease of use, these racks are best suited for indoor or covered areas such as car parks and bike storage rooms.

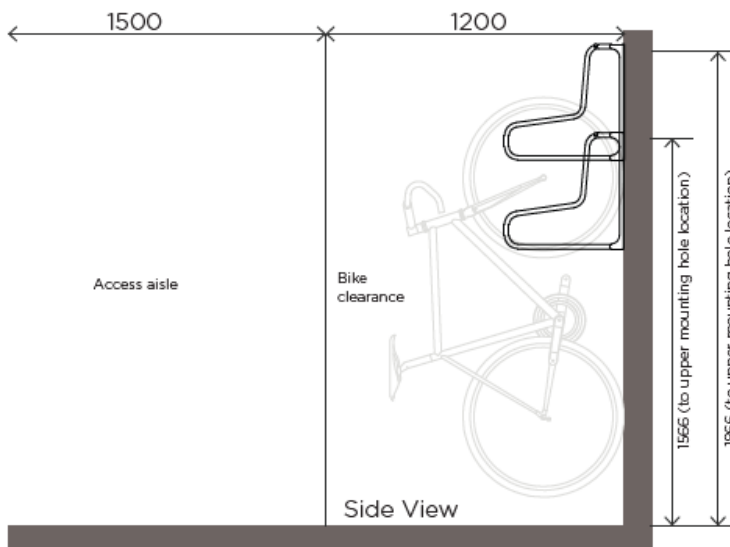
The E3VR-F gently cradles the front wheel, ensuring the safety of the bike and providing easy access to parking. It can be mounted directly to existing walls or to the E3VR-P mounting post. The E3VR-F is suitable for bikes with or without front wheel fenders or mudguards.

E3VR-F bike racks comply with AS2890.3 (2015) requirements.



Note: If all racks are to be mounted at the same height, racks must be spaced at 700mm centres.

* Minimum ceiling height: Staggered - 2200
Single level - 1900



Specifications

E3VR-F WALL MOUNT LAYOUT GUIDE

To comply with AS2890.3 (2015), 500mm spacings are shown at alternating heights. Spacings of 400-500mm are possible where compliance with AS2890.3 (2015) is not required.

For specific assembly and installation instructions relating to E3VR Series racks, please refer to individual instruction information sheets. Racks should not be installed, based on the information on this sheet alone.

Other Vertical Bike Racks

- E3VR Vertical Bike Rack
- E3VR-45L 45 Degree Vertical Bike Park
- E3VR-45R 45 Degree Vertical Bike Park
- E3VR-DYN Dynamic Vertical Bike Rack
- E3VR-P Mounting Post

To explore the complete Bike & Scooter Parking solutions, visit our website.

Contact us today

Freephone 0508 4 URBAN or visit urbaneffects.co.nz