



E3VR-DYN Dynamic Vertical Bike Rack

The E3VR-DYN vertical bike rack offers a dynamic pivot motion to allow reduced spacings of 400mm that is compliant with AS2890.3 (2015).

Using a dynamic pivot action, the E3VR-DYN vertical bike rack gently cradles the front wheel and allows easy locking of the wheel and bike frame. The E3VR-DYN can be mounted directly to existing walls or to the E3VR-P mounting post.

Best suited for indoor or covered areas such as end-of-trip bike rooms or bike parking storage areas.

E3VR-DYN bike racks comply with AS2890.3 (2015) requirements.

Quality & Durability

Capacity

- 1 bike per rack

Construction

- Heavy duty high quality steel
- 16mm CHS x 1.2mm

Fixings

- 3 x M8 x 40mm pin head torx security screws with tool, washers and nylon wallplugs included

Assembly

- Supplied fully welded and assembled. For pole mounted option, assembly to pole E3VR-P required

Finishes

- In Stock - Yellow Powder Coat
- Option - Galvanised
- Option - 304 Stainless Steel
- Option - Colour Powder Coat (Standard colour range)

Ideal for

- Office buildings
- Residential complexes
- Schools and universities
- Indoor or covered car parks
- Bike storage rooms
- Shopping centres and malls
- Public transport stations

Finishes

- HDG steel frames
- Powder Coated 1.5mm galvanised steel panels
- Option - powder coating of complete locker (frames and panels)



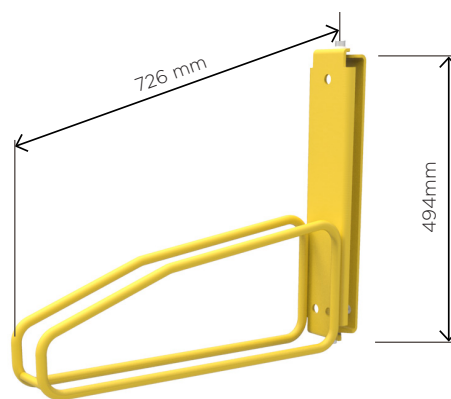
SINGLE RACK-DYN WALL MOUNTED



DOUBLE RACK-DYN POLE MOUNTED

E3VR-DYN

Vertical Wall Or Post Mounted Bike Rack



Contact us today

Freephone 0508 4 URBAN or visit urbaneffects.co.nz



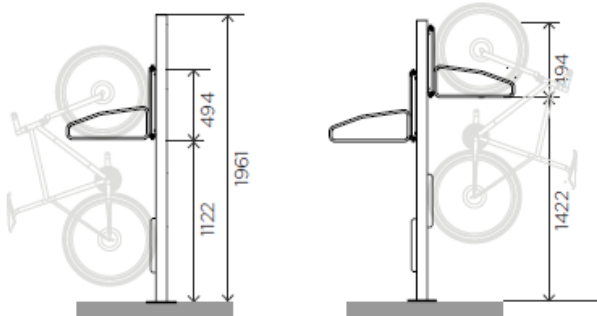
E3VR-DYN Dynamic Vertical Bike Rack

The E3VR-DYN vertical bike rack offers a dynamic pivot motion to allow reduced spacings of 400mm that is compliant with AS2890.3 (2015).

Using a dynamic pivot action, the E3VR-DYN vertical bike rack gently cradles the front wheel and allows easy locking of the wheel and bike frame. The E3VR-DYN can be mounted directly to existing walls or to the E3VR-P mounting post.

Best suited for indoor or covered areas such as end-of-trip bike rooms or bike parking storage areas.

E3VR-DYN bike racks comply with AS2890.3 (2015) requirements.



Side View Single Rack

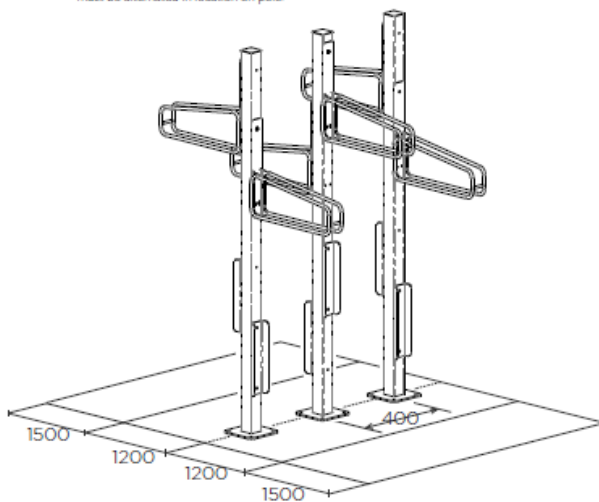
For single mounted racks
If mounting only one rack, the rack should be fixed in lower position to minimise lifting for the cyclist.

Side View Double Rack

For double mounted racks,
Rack location on post should be alternated, on both sides of post.

Double sided alternating rack height

Access dimensions for posts
If multiple posts are mounted in a row, Racks must be alternated in location on pole.



Access dimensions
Posts are to be mounted with minimum clearance zones from either side a rack is mounted.

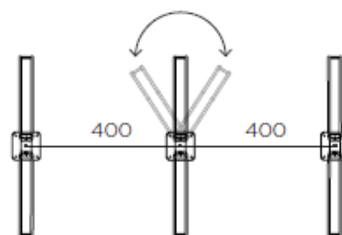
Specifications

E3VR DYN POLE MOUNT LAYOUT GUIDE

To comply with AS2890.3 (2015) minimum 400mm spacing between posts centres and to edge of walls or other obstructions is required.

For specific assembly and installation instructions relating to E3VR Series racks, please refer to individual instruction information sheets.

Racks should not be installed, based on the information on this sheet alone.



Dynamic pivot motion
The dynamic pivot motion allows a reduced 400mm spacing between racks.

Other Vertical Bike Racks

- E3VR Vertical Bike Rack
- E3VR-F Vertical Bike Rack For Fenders
- E3VR-45L 45 Degree Vertical Bike Park
- E3VR-45R 45 Degree Vertical Bike Park
- E3VR-P Mounting Post

To explore the complete Bike & Scooter Parking solutions, visit our website.

Contact us today

Freephone 0508 4 URBAN or visit urbaneffects.co.nz



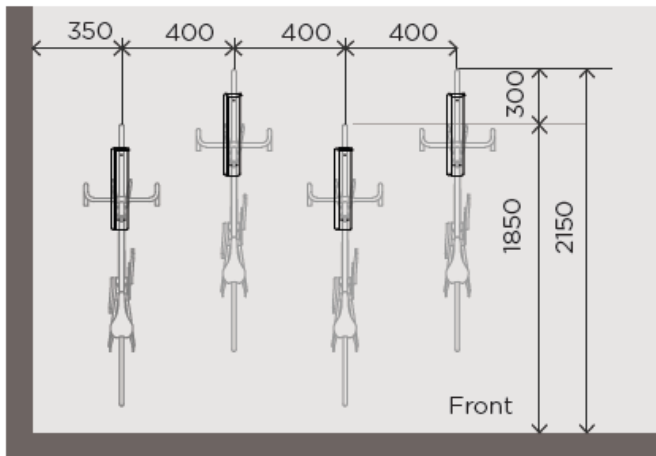
E3VR-DYN Dynamic Vertical Bike Rack

The E3VR-DYN vertical bike rack offers a dynamic pivot motion to allow reduced spacings of 400mm that is compliant with AS2890.3 (2015).

Using a dynamic pivot action, the E3VR-DYN vertical bike rack gently cradles the front wheel and allows easy locking of the wheel and bike frame. The E3VR-DYN can be mounted directly to existing walls or to the E3VR-P mounting post.

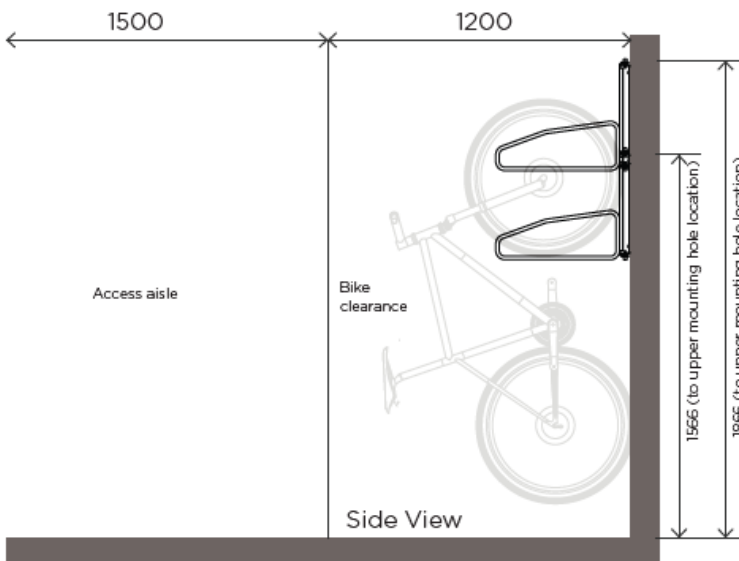
Best suited for indoor or covered areas such as end-of-trip bike rooms or bike parking storage areas.

E3VR-DYN bike racks comply with AS2890.3 (2015) requirements.



Note: If all racks are to be mounted at the same height, racks must be spaced at 700mm centres.

* Minimum ceiling height: Staggered - 2200
Single level - 1900



Specifications

E3VR DYN WALL MOUNT LAYOUT GUIDE

To comply with AS2890.3 (2015), 400mm spacings are shown at alternating heights.

For specific assembly and installation instructions relating to E3VR Series racks, please refer to individual instruction information sheets.

Racks should not be installed, based on the information on this sheet alone.

Other Vertical Bike Racks

- E3VR Vertical Bike Rack
- E3VR-F Vertical Bike Rack For Fenders
- E3VR-45L 45 Degree Vertical Bike Park
- E3VR-45R 45 Degree Vertical Bike Park
- E3VR-P Mounting Post

To explore the complete Bike & Scooter Parking solutions, visit our website.

Contact us today

Freephone 0508 4 URBAN or visit urbaneffects.co.nz