



## E3VR-45L 45 Degree Vertical Bike Park

The E3VR-45L provides angled vertical parking, reducing the distance a bicycle extends from the wall or mounting post by 25%. The bike enters this rack from the **left** of centre, making it ideal for narrow spaces.

The E3VR-45L can be mounted directly to existing walls or to the E3VR-P mounting post. It gently cradles the front wheel, ensuring bike safety and easy access parking. Best suited for indoor or covered areas such as car parks and bike storage rooms, the E3VR-45L is a space-efficient solution. For bikes with front wheel fenders or mudguards, E3VR-F model is recommended.

**E3VR-45L bike racks comply with AS2890.3 (2015) requirements.**

### Quality & Durability

#### Capacity

- 1 bike per rack

#### Construction

- Heavy duty high quality steel
- 16mm CHS x 1.2mm

#### Fixings

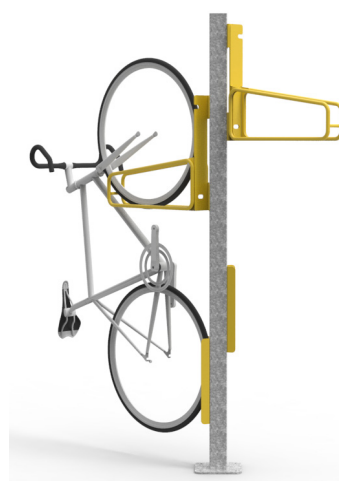
- 3 x M8 x 40mm pin head torx security screws with tool, washers and nylon wallplugs included

#### Assembly

- Supplied fully welded and assembled. For pole mounted option, assembly to pole E3VR-P required

#### Finishes

- In Stock - Yellow Powder Coat
- Option - Galvanised
- Option - 304 Stainless Steel
- Option - Colour Powder Coat (Standard colour range)



DOUBLE RACK 45L POLE MOUNTED



SINGLE RACK 45L POLE MOUNTED

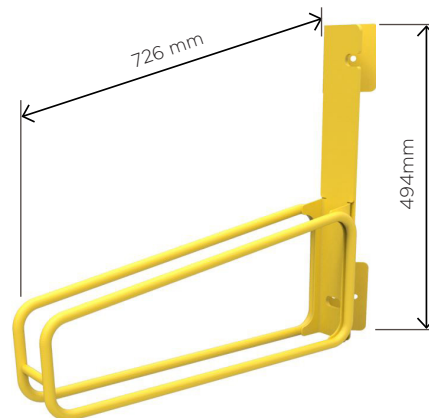
E3VR45-L  
E3VR45-L Vertical  
Wall or Post Mounted  
Bike Rack

### Ideal for

- Office buildings
- Residential complexes
- Schools and universities
- Indoor or covered car parks
- Bike storage rooms
- Shopping centres and malls
- Public transport stations

### Finishes

- HDG steel frames
- Powder Coated 1.5mm galvanised steel panels
- Option - powder coating of complete locker (frames and panels)

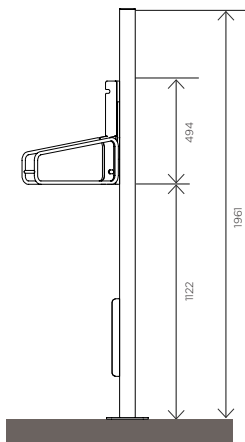


Contact us today

Freephone **0508 4 URBAN** or visit [urbaneffects.co.nz](http://urbaneffects.co.nz)

# E3VR-45L 45 Degree Vertical Bike Park

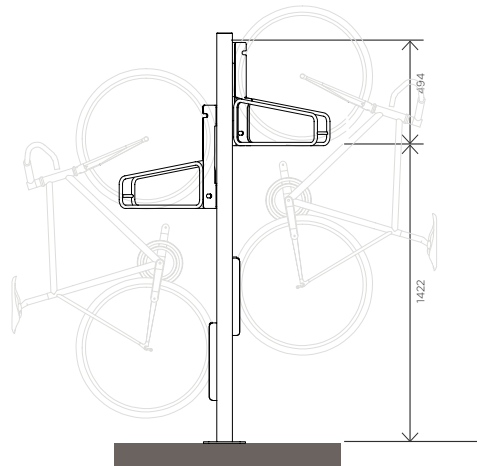
## Product Specification Sheet



Side View  
Single Rack

**For single mounted racks**

If mounting only one rack, the rack should be fixed in lower position to minimise lifting for the cyclist.



Side View  
Double Rack

**For double mounted racks,**

Rack location on post should be alternated, on both sides of post

### E3VR45-L POLE MOUNT LAYOUT GUIDE

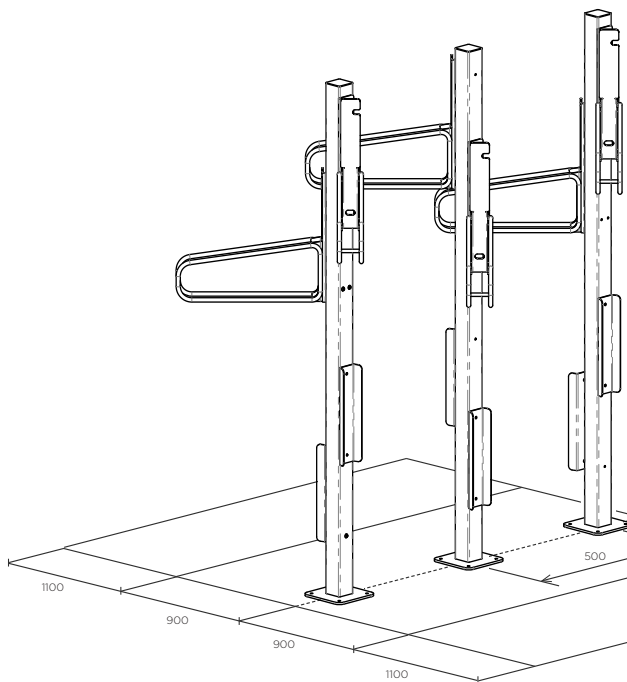
**To comply with AS2890.3 (2015) minimum 710mm spacing between posts centres and to edge of walls or other obstructions is required.**

**Reduced spacings are possible where compliance with AS2890.3 (2015) is not required.**

For specific assembly and installation instructions relating to E3VR Series racks, please refer to individual instruction information sheets

### E3VR45-L & E3VR45-R Combo

A combination of E3VR45L and E3VR45R can be combined in the same install however the two rack types can not be combined on the same side of the posts.

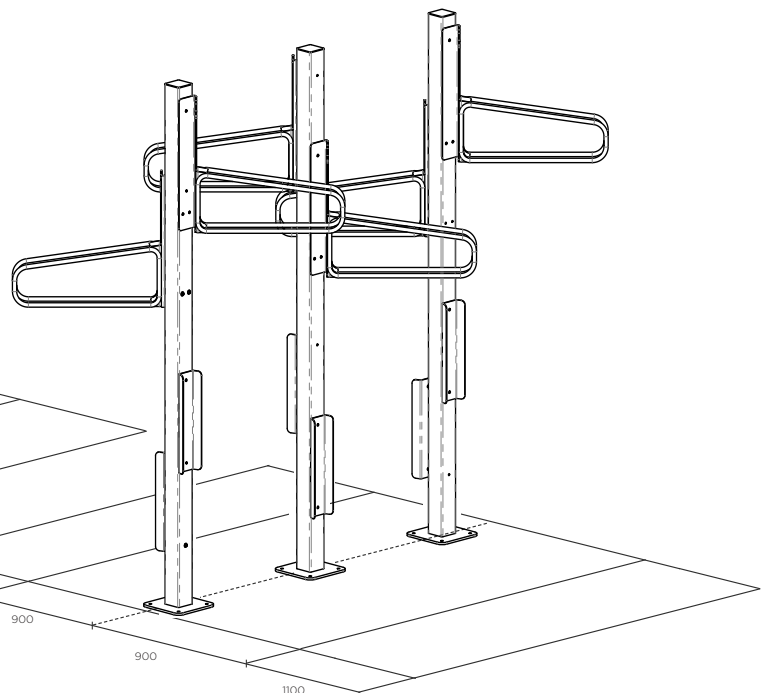


**Access dimensions**

45 degree angle mounts are useful for areas with limited space for access aisle, and reduce spacing requirements by 30%.

### E3VR-45 mounted either left or right

Racks can be mounted to both sides of post but have to be mounted in the same direction. For multiple post installations rack locations on post should be alternated, on both sides of post.



Contact us today

Freephone 0508 4 URBAN or visit [urbaneffects.co.nz](http://urbaneffects.co.nz)

# E3VR-45L 45 Degree Vertical Bike Park

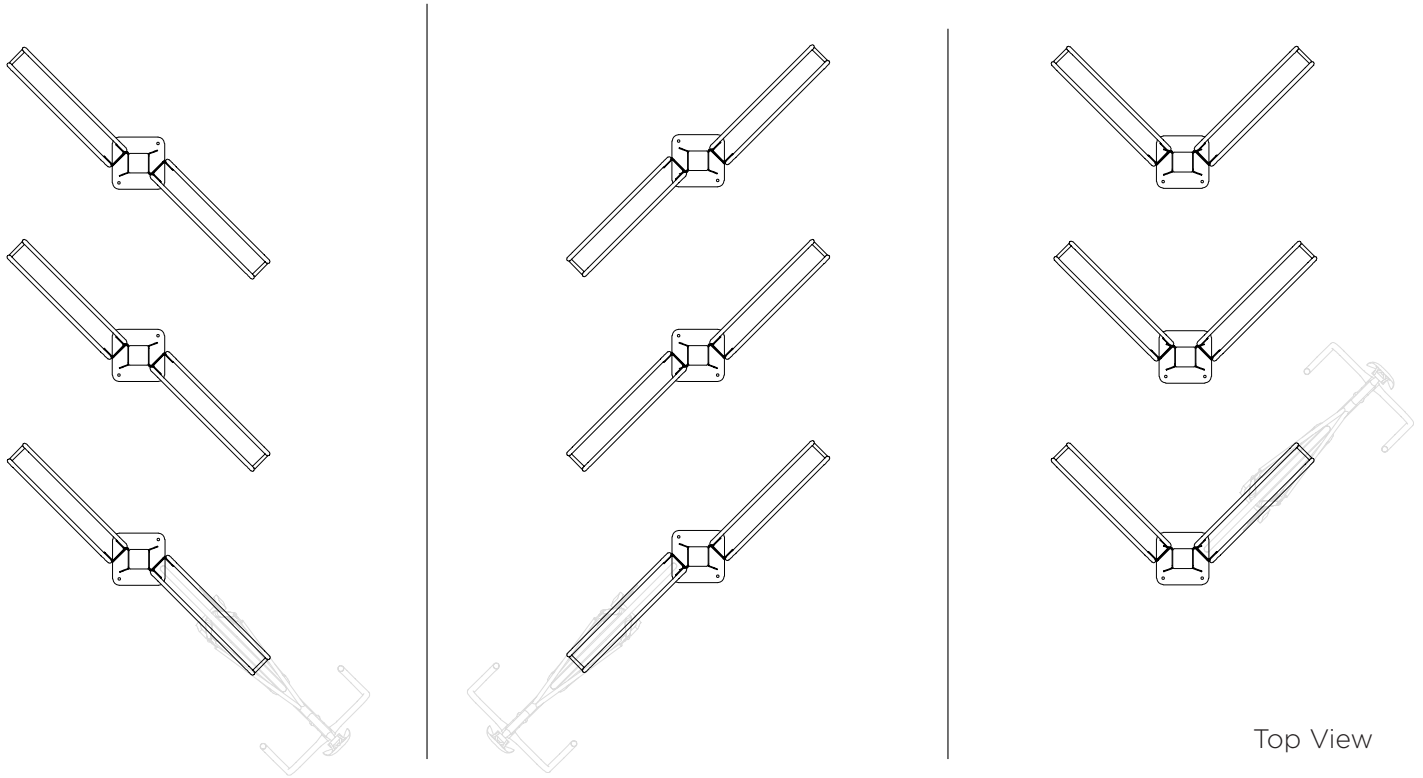
## Product Specification Sheet

### Assembly & Post Mounting Instructions

#### Configuration mounting options for E3VR45-L & E3VR-R racks

Single side, or dual side pole mount options (single or multiple pole installs)

### E3VR45-L POLE MOUNT LAYOUT GUIDE



#### E3VR45-R Only

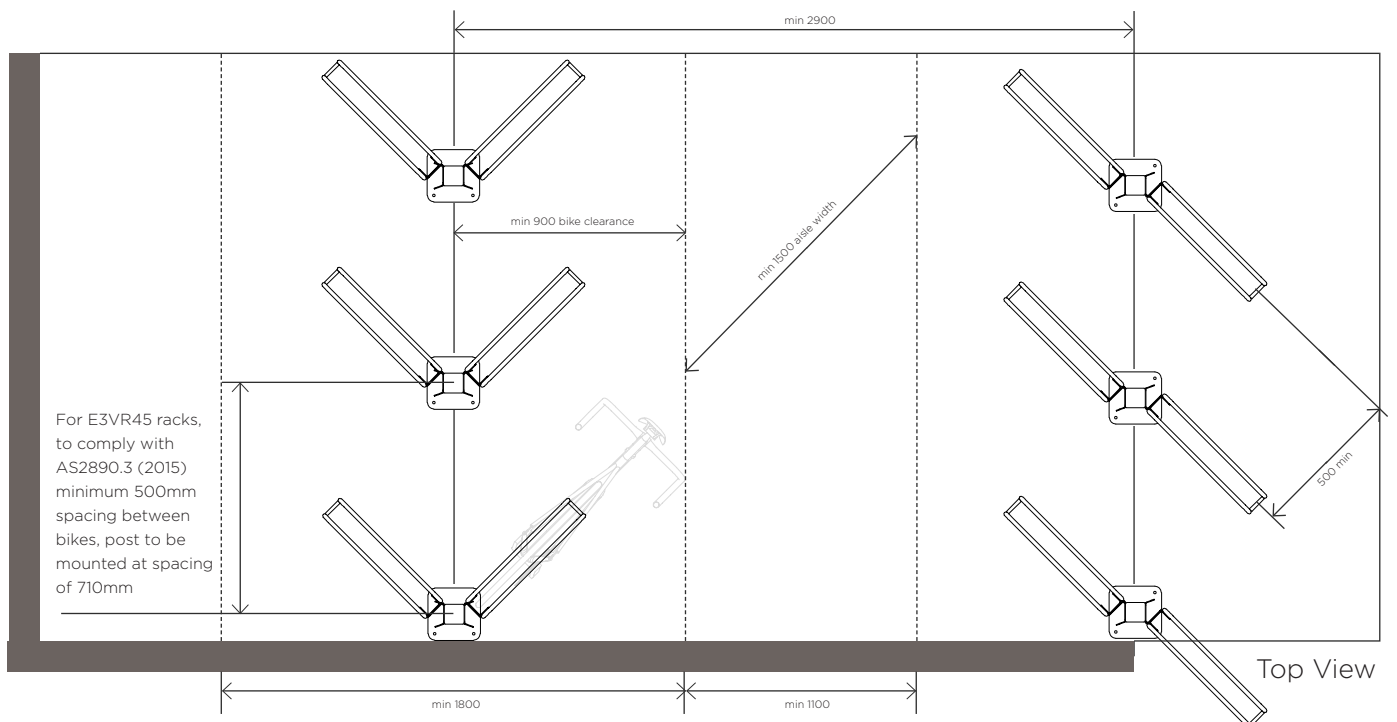
Shown mounted to both sides of E3VR-P

#### E3VR45-L Only

Shown mounted to both sides of E3VR-P

#### E3VR45-L & E3VR45-R Combo

Shown mounted to either side of E3VR-P



#### Configuration mounting options for E3VR45-L & E3VR-R racks

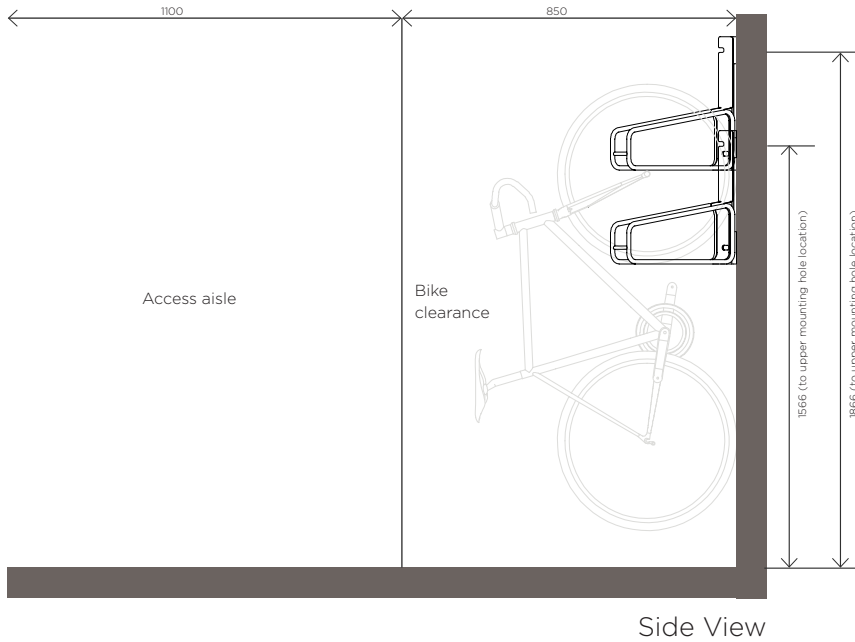
Double sided, double row layout

Contact us today

Freephone 0508 4 URBAN or visit [urbaneffects.co.nz](http://urbaneffects.co.nz)

# E3VR-45L 45 Degree Vertical Bike Park

## Product Specification Sheet



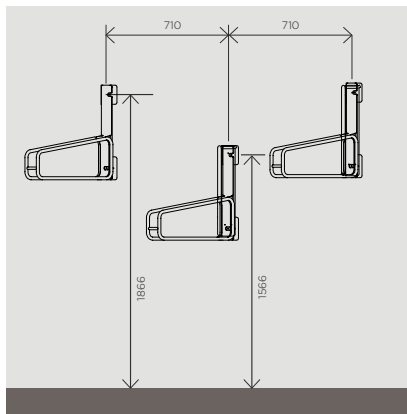
### E3VR WALL MOUNT LAYOUT GUIDE

**To comply with AS2890.3 (2015), 710mm spacings are shown at alternating heights.**

**Reduced spacings are possible where compliance with AS2890.3 (2015) is not required.**

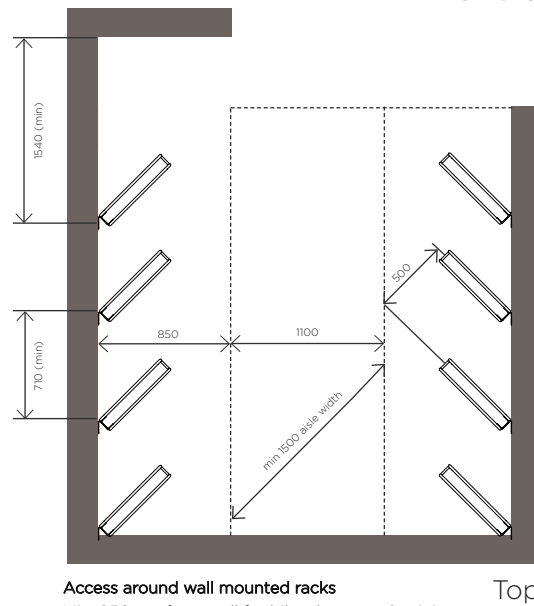
For specific assembly and installation instructions relating to E3VR Series racks, please refer to individual instruction information sheets.

Racks should not be installed, based on the information on this sheet alone.



Note: If all racks are to be mounted at the same height, racks must be spaced at 900mm centres.

\* Minimum ceiling height: Staggered - 2200  
Single level - 1900



#### Access around wall mounted racks

Min. 850mm from wall for bike clearance & minimum 1500mm(diagonal) additional for access aisle

### Other Vertical Bike Racks

- E3VR Vertical Bike Rack
- E3VR-F Vertical Bike Rack For Fenders
- E3VR-45R 45 Degree Vertical Bike Park
- E3VR-DYN Dynamic Vertical Bike Rack
- E3VR-P Mounting Post

To explore the complete Bike & Scooter Parking solutions, visit our website.

Contact us today

Freephone 0508 4 URBAN or visit [urbaneffects.co.nz](http://urbaneffects.co.nz)