

# Lido4500 S

A beautifully crafted product by Bellitalia®, the Lido 4500 S is a modular bench having round section made of six curved ashlars combined. For added comfort, the composition also features a backrest. It is possible for the customer to match the bench with a custom-made base, able to grant a perfect flatness also by means of a covering cap that plugs the space for greenery. There is also the possibility to add LED strips.

The bench can be manufactured using reconstituted natural marble stones or white granite conglomerate. Perfect for indoor and outdoor use.



Part of a range



Environmental  
credentials

## Quality & durability

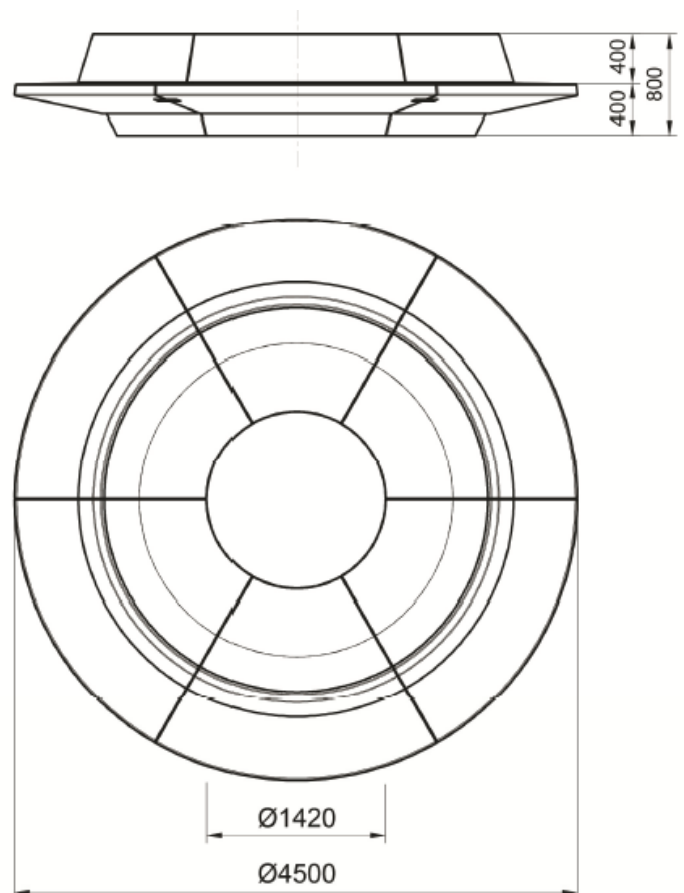
- Manufactured using reconstituted natural marble stones or white granite conglomerate.
- All surfaces are sandblasted (excluding the top seat surface/ backrest that can be polished, to give the product a shiny effect)
- Surfaces covered with a transparent anti-decay coating or upon request, with anti-graffiti products
- All edges are rounded or made blunt.
- Every circular section is reinforced and endowed with bushes that permit its lifting

## Ideal for

- Commercial Developments
- Retail Developments
- Schools/Universities
- Almost any situation!

## Finishes available

- Natural marble stones or white granite conglomerate



Contact us today

Freephone **0508 4 URBAN** or visit [urbaneffects.co.nz](http://urbaneffects.co.nz)